



# F-Series

## F-Series Coaxial Crimp Connectors

- **Designed to fit ample cable range including RG59, RG6, RG11**
- **F-GSOL Series feature double environment seal protection to prevent water migration to connector-to-cable interface. Internal neoprene O-ring seal and silicone-gel in crimp area provide an impermeable shield against moisture migration ensuring reliability and high performance**
- **Excellent RF shielding performance ensures RF integrity suitable for digital two-way systems**
- **Excellent return-loss—exceeding -30 dB up to 2GHz provides great performance in digital environments**
- **Improved industry standard design provides comfortable crimp pressure with readily available Hex crimp tools minimizing hand fatigue**
- **Precision machined high-grade CDA360 brass one-piece construction**
- **Annealed ring in RG59 and RG6 connectors ensures reduced insertion force and even crimp pressure distribution for maximum pull-strength without rupturing or cracking, exceeding SCTE's 40-lbs minimum**
- **Precision machined 3/8" 32UNEF threads ensure secure connector-to-port interface providing maximum connectivity**
- **High-quality nickel, tin, or cadmium anti-corrosive plating ensures years of service against environmental degradation**



# F-Series

## F-Series Coaxial Crimp Connectors



TruSpec's F-Series crimp connectors are high quality, cost-effective CDA360 brass connectors designed to fit a wide variety of RG11, RG6 and RG59 cables used in coaxial broadband networks. One-piece construction and industry standard dimensions facilitate quick and easy cable insertion and attachment for consistency and time savings. These connectors feature excellent return loss—better than -30dB up to 2GHz—providing great performance in digital applications. **TruSpec's F-GSOL-Series** Weather-Sealed Crimp connectors feature double environment seal protection to prevent water migration to the connector-to-cable interface. An internal neoprene rubber O-Ring placed within the connector nut and silicone-gel around the crimped area form an impermeable seal against moisture. TruSpec's standard hex-crimp tools HX596 (Universal Cable) or HX596Q (Quad Cable) provide secure connector to cable attachment. Manufactured to exacting standards, **TruSpec's F-Series** connectors feature precision machined threads and polished internal bases to ensure maximum connector to port interface and connectivity, quality, and consistency. Available in anti-corrosion nickel, tin, or cadmium plating, TruSpec connectors provide years of reliable service against environmental damage.

# F-Series

## F-Series Coaxial Crimp Connectors

Figure-A

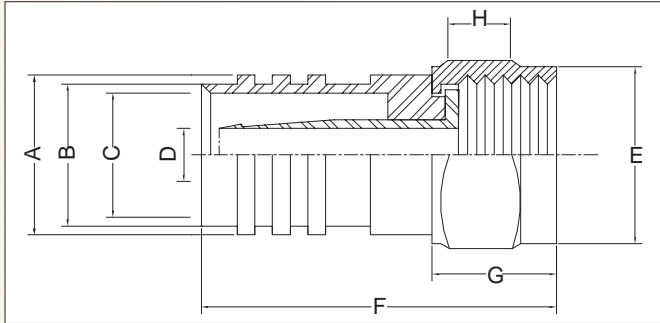
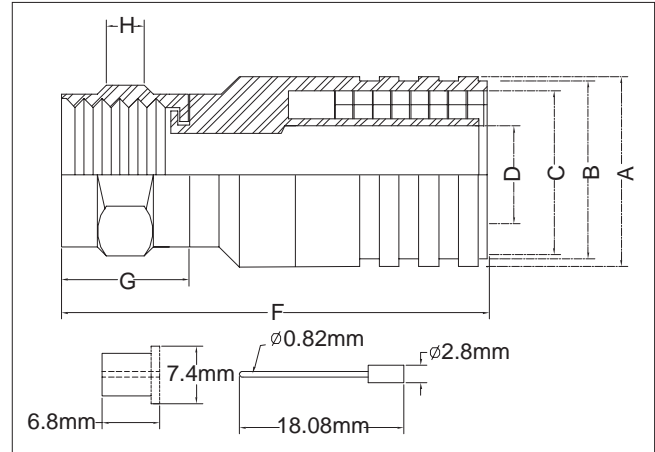


Figure-B



| Item No   | Dimensions (mm) |      |      |      |     |      |      |     | Construction | Plating               | Coaxial Cable | Hex Die (mm)                 | Figure |   |
|-----------|-----------------|------|------|------|-----|------|------|-----|--------------|-----------------------|---------------|------------------------------|--------|---|
|           | A               | B    | C    | D    | E   | F    | G    | H   |              |                       |               |                              |        |   |
| Series 59 | F59-290D        | 9.5  | 8.4  | 7.5  | 3.9 | 10.8 | 20.0 | 7.6 | 4.6          | Brass Cast-Nut        | Nickel        | RG59 60-67%                  | 0.324  | A |
|           | F59-290G        | 9.5  | 8.4  | 7.5  | 3.9 | 10.8 | 20.0 | 7.6 | 4.6          | Brass O-Ring Silicone | Cadmium       | RG59 60-67%                  | 0.324  | A |
|           | F59-290GSOL     | 9.5  | 8.4  | 7.5  | 3.9 | 10.8 | 22.0 | 9.3 | 6.2          | Brass                 | Cadmium       | RG59 60-67%                  | 0.324  | A |
|           | F59-290T        | 9.5  | 8.4  | 7.5  | 3.9 | 10.8 | 20.0 | 7.6 | 4.6          | Brass                 | Tin           | RG59 60-67%                  | 0.324  | A |
| Series 6  | F56-324D        | 9.5  | 9.2  | 8.2  | 4.8 | 10.8 | 20.0 | 7.6 | 5.2          | Brass Cast-Nut        | Nickel        | RG6 60-67%                   | 0.324  | A |
|           | F56-324G        | 9.5  | 9.2  | 8.2  | 4.8 | 10.8 | 20.0 | 7.6 | 5.2          | Brass                 | Cadmium       | RG6 60-67%                   | 0.324  | A |
|           | F56-324GSOL     | 9.5  | 9.2  | 8.2  | 4.8 | 10.8 | 22.0 | 9.3 | 6.2          | Brass O-Ring Silicone | Cadmium       | RG6 60-67%                   | 0.324  | A |
|           | F56-324T        | 9.5  | 9.2  | 8.2  | 4.8 | 10.8 | 20.0 | 7.6 | 5.2          | Brass                 | Tin           | RG6 60-67%                   | 0.324  | A |
|           | F56-342T        | 9.5  | 9.4  | 8.7  | 4.8 | 10.8 | 20.0 | 7.0 | 2.5          | Brass                 | Tin           | RG6 Tri-Shield, Quad > 67%   | 0.324  | A |
|           | F56-342G        | 9.5  | 9.4  | 8.7  | 4.8 | 10.8 | 20.0 | 7.0 | 2.5          | Brass                 | Cadmium       | RG6 Tri-Shield, Quad > 67%   | 0.324  | A |
|           | F56-357G        | 10.7 | 10.2 | 9.1  | 4.8 | 10.8 | 20.0 | 7.0 | 2.5          | Brass                 | Cadmium       | RG6 Quad Shield              | 0.360  | A |
| Series 11 | F11-457T        | 13.3 | 12.8 | 11.6 | 7.3 | 10.8 | 36.8 | 7.0 | 2.5          | Brass Attached Pin    | Tin           | RG11                         | 0.472  | B |
|           | F-11P           | 13.3 | 12.8 | 11.6 | 7.3 | 10.8 | 29.1 | 7.0 | 2.5          | Brass                 | Tin           | RG11                         | 0.472  | B |
| Plenum    | F-59P           | —    | 9.6  | 8.4  | 3.9 | 10.8 | 19.5 | 6.7 | 2.5          | Brass                 | Tin           | CommScope 2020, Belden 89108 | 0.324  | A |
|           | F-56P           | —    | 9.7  | 8.4  | 4.8 | 10.8 | 19.5 | 6.7 | 2.5          | Brass                 | Tin           | CommScope 2275, Belden 89120 | 0.324  | A |
|           | F-11P/10.8      | 13.5 | 12.0 | 10.8 | 7.4 | 10.8 | 29.3 | 7.0 | 2.5          | Brass                 | Tin           | CommScope 2285, Belden 89292 | 0.472  | B |
|           | F-11PAP         | 13.5 | 12.0 | 10.8 | 7.4 | 10.8 | 29.3 | 7.0 | 2.5          | Brass Attached Pin    | Tin           | CommScope 2285, Belden 89292 | 0.472  | B |

Specifications Subject to Change

© Copyright 2003 Pico Macom, Inc.