



Change connector  
gender and polarity  
in the field.

## PanMPO™ Connectors: 10Gig to 40Gig Ethernet Migration ... the Panduit Way

Introducing the PanMPO™ Connector, Panduit's revolutionary MPO connector that protects your fiber infrastructure investment and improves operational efficiency to save time and money.

Change polarity and gender on your fiber cable assemblies on the fly with the PanMPO™ Connector. This unique, patented connector helps ease the migration from 10G Ethernet to 40G Ethernet, while keeping the installation in compliance.

- Easily convert between male and female gender, and between key-up and key-down polarity for a standards-compliant 10G or 40G/100G Ethernet installation
- Connector changes are made in the field, as needed
- Always have the right cable assembly on hand
- Available on trunks, harnesses, interconnects and reference cords

Unified Physical Infrastructure

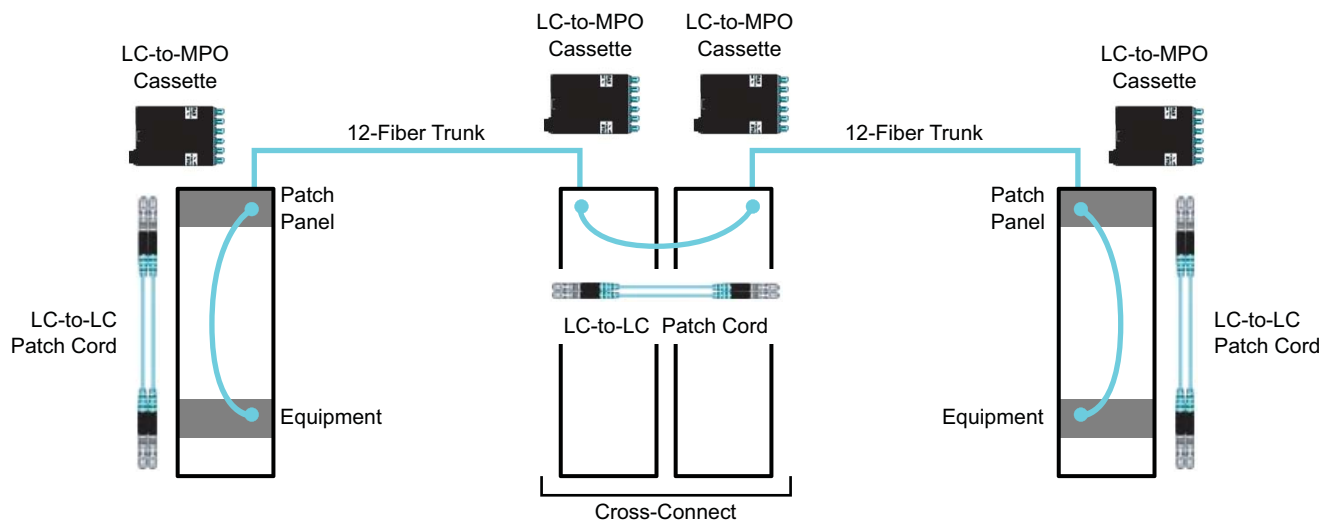


**PANDUIT®**

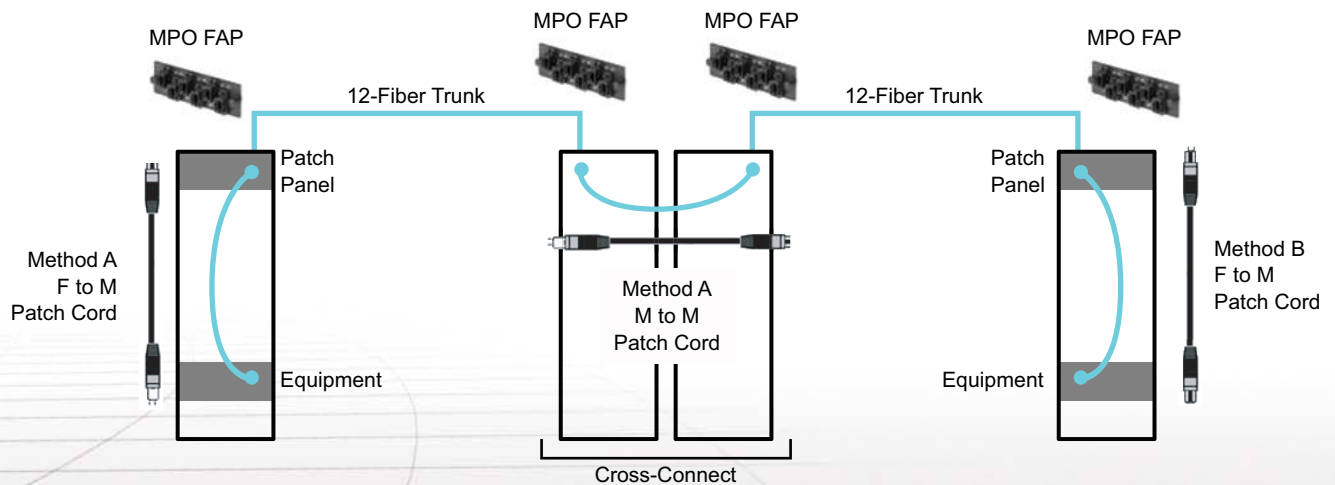
## Existing Installations

In an existing 10G Ethernet fiber infrastructure, LC to MPO cassettes are replaced with MPO adapter panels and LC to LC patch cords are replaced with MPO patch cords during migration to 40G Ethernet. In this example, three different types of patch cords are required for the migration: Method A/Female to Male, Method A/Male to Male, and Method B/Female to Male. Using patch cords terminated with PanMPO™ Connectors, only one type of patch cord needs to be purchased and stocked, and can be configured on the fly to replace any of the three needed patch cords.

### 10G Ethernet



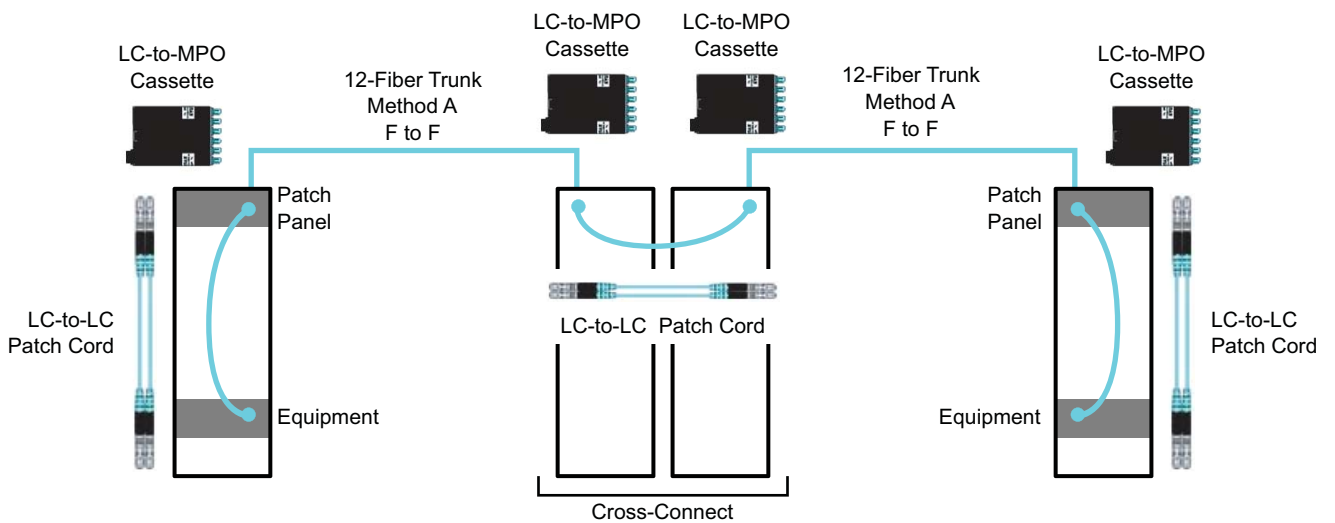
### 40G Ethernet



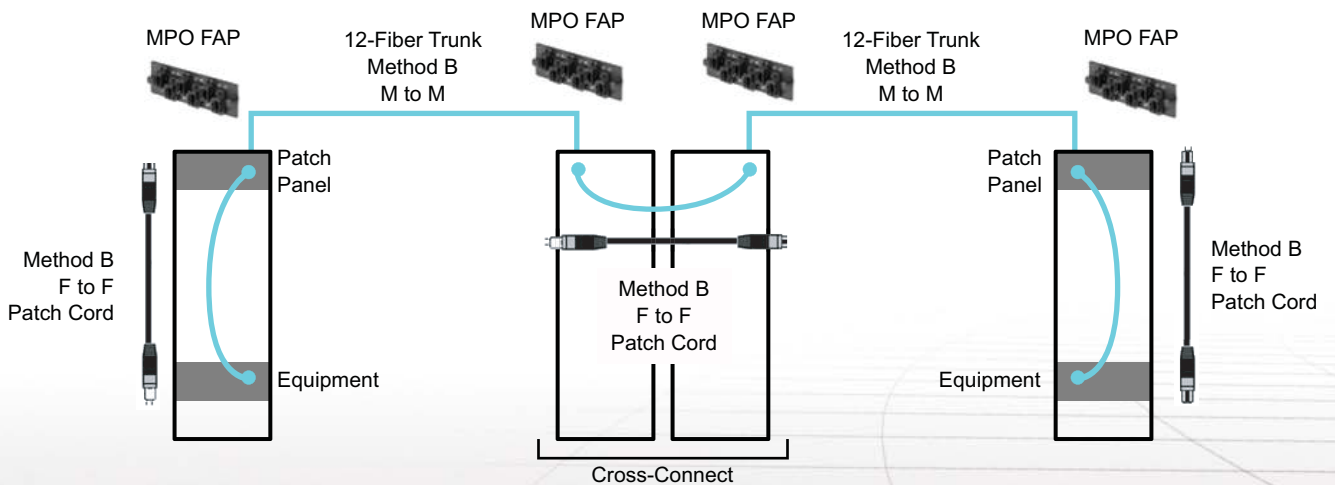
## NEW Installation

Using PanMPO™ connectivity in new installations, a Method A fiber backbone with female connectors can be deployed for 10G operation. To migrate these channels to 40G, the PanMPO™ Connector changes from Method A to the preferred Method B polarity with male connectors in the backbone. This results in only one style of MPO cord for either equipment or patch connections. The PanMPO™ Connector is the only product that changes polarity and gender in the field, preserving your infrastructure investment.

### 10G Ethernet



### 40G Ethernet



## Always have the correct cord on hand: One fiber cable assembly with the PanMPO™ Connector replaces six standard assemblies!

Cable assemblies terminated with the PanMPO™ Connector eliminate inventory, stocking and ordering confusion. The PanMPO™ can be used in any MPO-based infrastructure with trunk assemblies, interconnect cords and MPO patch cords, with one style of cord replacing six.

**Male/Up to Male/Up**



**Male/Up to Male/Down**



**Female/Up to Male/Up**



**Female/Up to Female/Up**



**Female/Up to Male/Down**



**Female/Up to Female/Down**



Achieve the most accurate link test measurements with any test equipment. Whether test equipment has a male or female interface, the PanMPO™ Connector can be configured to fit, without introducing a third test cord. This eliminates an added layer of variability, reduces errors and improves accuracy.

### WORLDWIDE SUBSIDIARIES AND SALES OFFICES

PANDUIT CANADA  
Markham, Ontario  
cs-cdn@panduit.com  
Phone: 800.777.3300

PANDUIT EUROPE LTD.  
London, UK  
cs-emea@panduit.com  
Phone: 44.20.8601.7200

PANDUIT SINGAPORE PTE. LTD.  
Republic of Singapore  
cs-ap@panduit.com  
Phone: 65.6305.7575

PANDUIT JAPAN  
Tokyo, Japan  
cs-japan@panduit.com  
Phone: 81.3.6863.6000

PANDUIT LATIN AMERICA  
Guadalajara, Mexico  
cs-la@panduit.com  
Phone: 52.33.3777.6000

PANDUIT AUSTRALIA PTY. LTD.  
Victoria, Australia  
cs-aus@panduit.com  
Phone: 61.3.9794.9020

For a copy of Panduit product warranties, log on to [www.panduit.com/warranty](http://www.panduit.com/warranty)

**For more information**

**Visit us at [www.panduit.com](http://www.panduit.com)**

Contact Customer Service by email: [cs@panduit.com](mailto:cs@panduit.com)  
or by phone: 800.777.3300

© 2013 Panduit Corp.  
ALL RIGHTS RESERVED.  
Printed in the U.S.A.

**FBFL02--SA-ENG**

6/2013

**PANDUIT®**