



Configuration for Cable Blowing

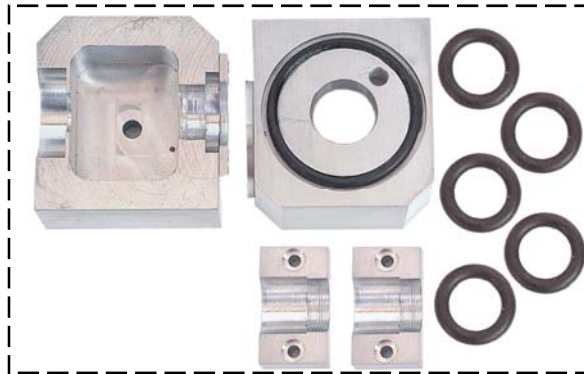
In order to customize your new "Air Stream" to your application, we ask that you pick, one each from the lists below, the Tube Collet and Clamp Assembly P/N, the Cable Guide Assembly P/N and the Cable Collet Assembly P/N.

When ordering, please have Tube and Cable dimensions available.



TUBE COLLET AND CLAMP ASSEMBLIES

89310	5 mm O.D.
89311	7 mm O.D.
89312	8 mm O.D.
89319	8.5 mm O.D.
89313	10 mm O.D.
89314	12 mm O.D.
89315	12.7 mm O.D.
89316	14 mm O.D.
89317	16 mm O.D.
89318	18 mm O.D.



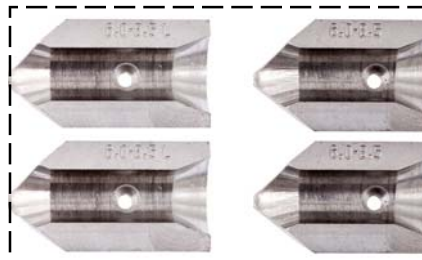
Tube Collet and Clamp Assemblies

SPARE TUBE SEAL O RING (5 Pack)

89549	5 mm
89553	7 mm
89550	8 - 8.5 mm
89551	10 mm
89552	12 - 12.7 mm
89555	14 mm
89554	16 mm
89558	18 mm

CABLE GUIDE ASSEMBLIES

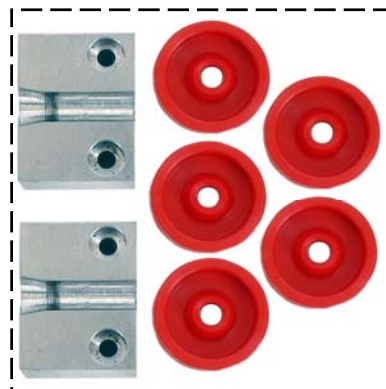
89305	2.5 mm
89306	2.5 - 3.0 mm
89307	3.0 - 6.4 mm
89303	6.0 - 8.5 mm
89304	8.5 - 11 mm



Cable Guide Assemblies

CABLE SEAL COLLET ASSEMBLY

89374	2.5 - 3.0 mm
89375	3.0 - 3.8 mm
89376	3.8 - 5.0 mm
89377	5.0 - 6.4 mm
89378	6.4 - 8.0 mm
89379	8.0 - 9.5 mm
89373	9.5 - 11.0 mm



Cable Seal Collet Assembly

SPARE CABLE SEAL (5 Pack)

89510	2.5 - 3.0 mm
89511	3.0 - 3.8 mm
89512	3.8 - 5.0 mm
89513	5.0 - 6.4 mm
89514	6.4 - 8.0 mm
89516	8.0 - 9.5 mm
89517	9.5 - 11 mm



General Machine Products Co. 3111 Old Lincoln Highway Trevoese, PA 19053 USA
 Tel: +1.215.357.5500 Fax: +1.215.357.6216 Email: info@GMPtools.com Web: www.gmptools.com



Configuration for Cable Blowing Corning SST Flat Drop Kit P/N 89328



Note: The airbox must be 12mm or larger for the SST without tone wire and 14mm or larger for the SST with the tone wire.

Spare Cable Seal 3/pk

- 89504 Tenable
- 89505 Non-Tenable



AirStream Configuration for Cable Blowing

Replacement Hardware

