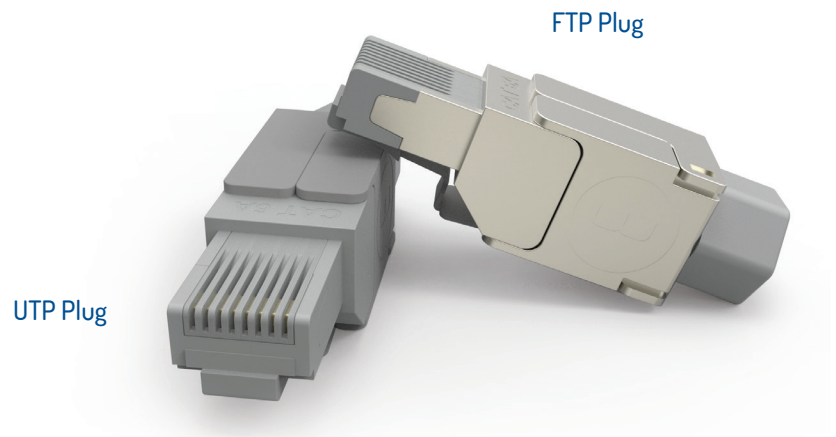


## FIELD TERMINABLE RJ45 PLUG

PDS-0214-EN-B



### DESCRIPTION

The Wirewerks Field Terminable (FT) RJ45 Plugs allows fast, reliable field plug termination of UTP and FTP cables without special tools or training. FT RJ45 Plugs fully support PoE Standards and are ideal for connecting IP-enabled network-powered devices to LANs, including: IP security cameras, wireless access points (WAPs), building access/automation devices, and other PoE or HDBASE-T powered network devices.

UTP or FTP cables are secured to the plug, and cable pairs are precision terminated on an IDC module within the plug, by closing the plug's two hinged jaws with a compression nut engineered to apply the precise pressure necessary to complete a perfect termination every time. No crimping, special tools or training are required and the IDC interface supports both T568A and T568B wiring schemes. The Wirewerks Field Terminable RJ45 Plug delivers guaranteed Category 6A performance in under one-minute of installation time.

### FEATURES AND BENEFITS

- No crimping or special tools required
- Reusable: housing is simple to disassemble for re-termination
- Category 6A performance equivalent to factory terminated connectors guaranteed
- Supports current PoE/PoE+ devices and coming 4PPoE (PoE++) devices
- Available in unshielded and shielded designs for UTP and FTP cables
- Full support of both T568A and T568B wiring schemes
- Universally compatible with 6mm to 8mm OD cables with 23-26 AWG plastic insulated solid copper conductors
- Snag-less, easy-to-press latch

**APPLICATIONS**

- IP security cameras and motion sensors
- Wireless access points (WAPs)
- IP building automation/access control devices
- PoE LED lighting
- Network-attached AV equipment
- Other PoE or HDBASE-T powered network devices

**PACKAGING**

- 1 unit per bag

**CERTIFICATION AND COMPLIANCE**

**ANSI/TIA-1096-A** (Formerly FCC Part 68)  
 Connection of Terminal Equipment to the Public Switched Telephone Network

**ISO/IEC 11801**  
 Generic Cabling for Customer Premises (Channel requirements)

**ANSI/TIA-568-C.2**  
 Balanced Twisted-Pair Telecommunications Cabling and Component Standards (Channel requirements)

**IEEE 802.3-2012 Type 1 and 2**  
 (Formerly 802.3af and 802.3at PoE/PoE+)

**IEEE 802.3bt** (Proposed) **Type 3 and 4** (PoE++)

**IEC 60603-7**  
 Connectors for Electronic Equipment

**ASTM D4565**  
 Standard Test Methods for Physical and Environmental Performance Properties of Insulations and Jackets for Telecommunications Wire and Cable

**UL 444**  
 Standard for Safety for Communication Cables

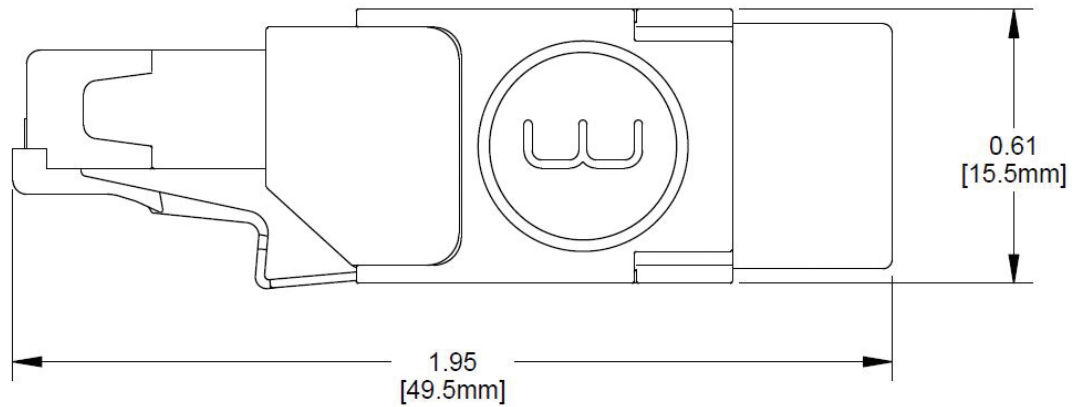
**UL 94**  
 Tests for Flammability of Plastic Material for Parts in Devices and Appliances

**RoHS**  
 Directive on Restriction of Hazardous Substances

**cULus**  
 Bi-national (Canada, US) Listed Communication Circuit Accessories

**ORDERING INFORMATION**

Part Number	Description
RFT-6AUGY	Field terminable RJ45 plug, CAT6A, UTP, Grey
RFT-6AFME	Field terminable RJ45 plug, CAT6A, FTP, Metal



**PHYSICAL CHARACTERISTICS**

Parameter	Value
Dielectric Strength	1000 V D.C. or A.C. Peak at 60Hz for 1 min.
Maximum Current Rating	1.5 A
Minimum Electrical Insulation Resistance	500 MΩ at 100 V D.C.
Contact Pins	Phosphor Bronze Alloy plated with 50 micro-inch of Gold
Housing Material	<ul style="list-style-type: none"> <li>• For UTP, High-Impact, flame-retardant, UL94V-0 plastic</li> <li>• For FTP, Zinc-alloy fully shielded</li> </ul>
IDC Termination Interface	Phosphor Bronze Alloy with 100 micro-inch of 100% Tin Alloy
IDC Recommended Insertions	≤ 10
IDC Re-Terminations	≤ 10
Plug Mating cycles	Rated to 2500 mating cycles

**TEMP. (°C)**

Parameter	Minimum / Maximum
Operating	-40° C / +60° C
Storage	-40° C / +125° C
Installation	-40° C / +40° C