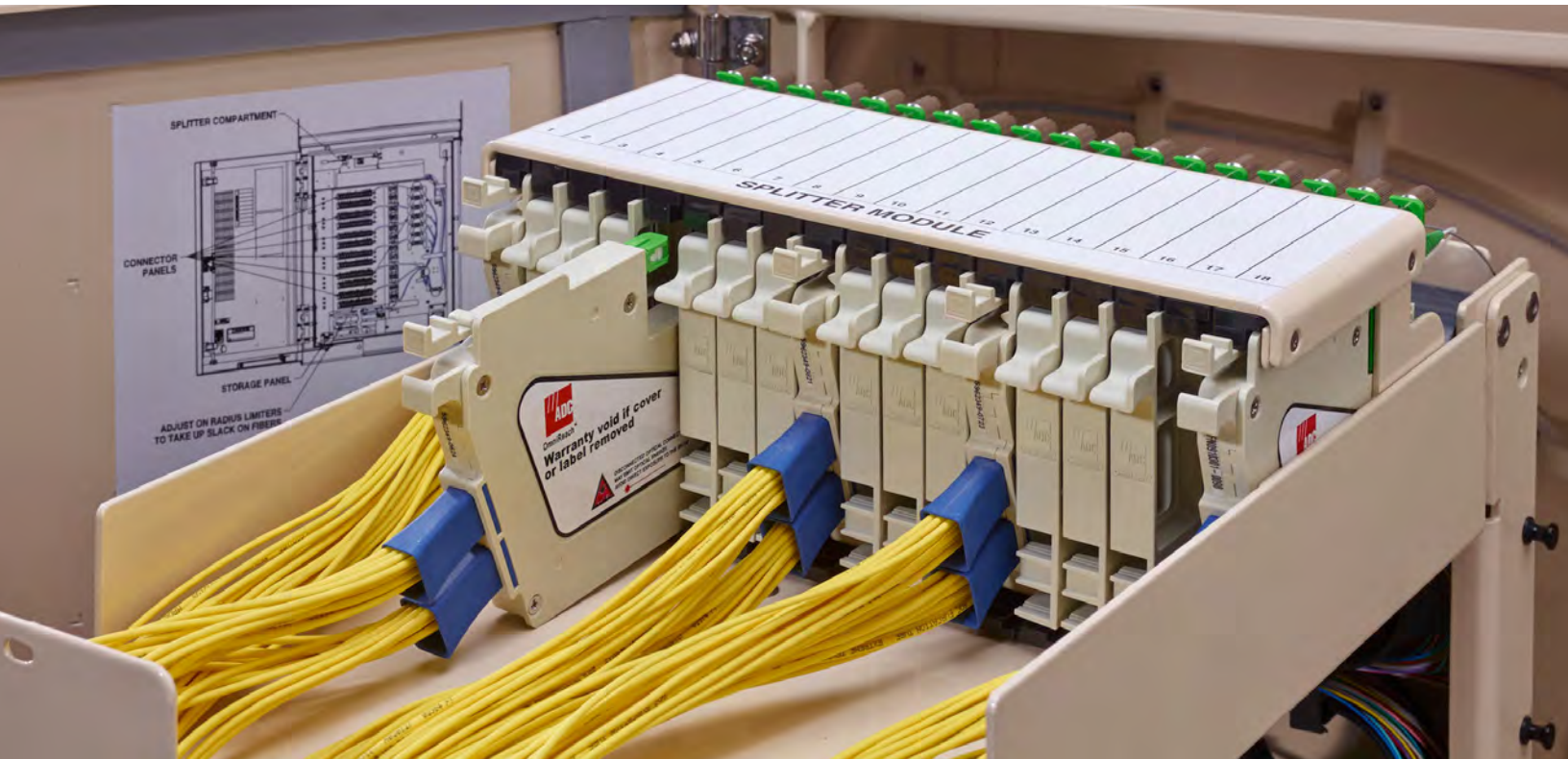


FTTX Solutions

Outdoor FDH 3000



FTTX Solutions

Outdoor FDH 3000

CommScope's FTTX infrastructure solutions are designed from the ground up to meet the unique requirements of FTTX networks. Designed for operational efficiency and scalability, CommScope's FTTX solutions simplify network installation, maintenance and management from the central office/head end to the outside plant.

The FDH 3000 is designed to meet and serve the distinct needs of diverse markets and customer segments. The unique design of the FDH 3000 provides for rapid connection between fiber optic cables and passive optical splitters in the outside plant segment of the network, facilitating fast service connection and reconfiguration, simplified network installations and improved installation efficiencies in the field.

Features and Benefits

Unique Design to Meet Diverse Customer Requirements

Scalable models from 12 to 864 distribution ports are available to support both low and high density networks. Multiple cabinet designs accommodate nearly any network application.

Flexible and Modular

Standardized splitter modules and growth panels for all FDH 3000 cabinets

Easy to Order

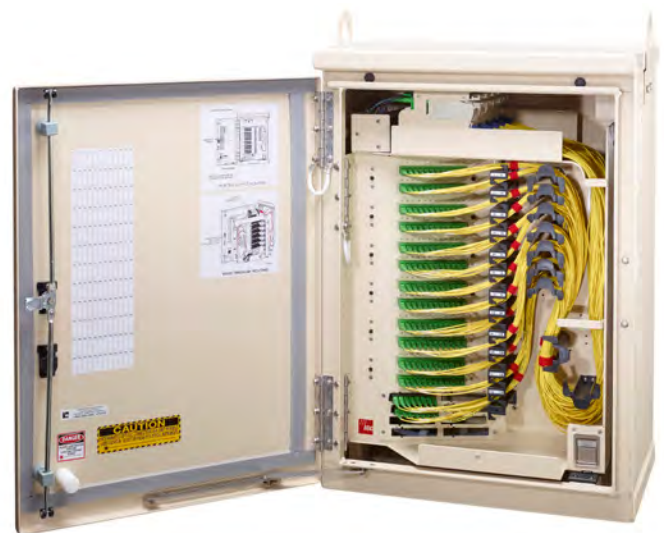
Streamlined configurations simplify the process

Incorporates CommScope Quality and Innovation

CommScope is a high quality, industry-leading brand you can rely on to future-proof your network, with a complete portfolio of FTTX products to ensure seamless deployment and maintenance over the life of the network

The FDH 3000 incorporates four time-tested elements that have long impacted reliability, flexibility and operational costs within the in fiber networks:

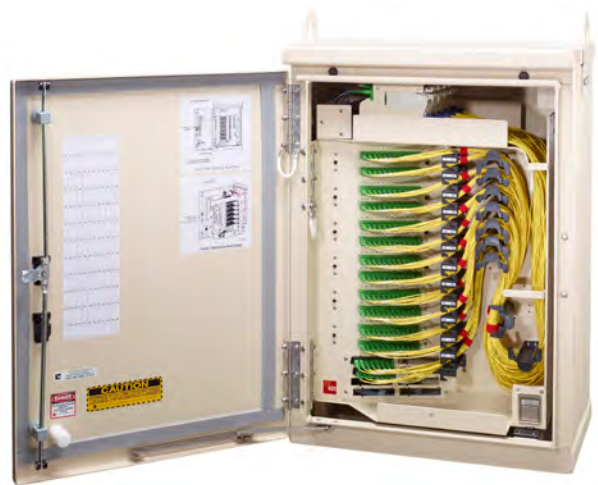
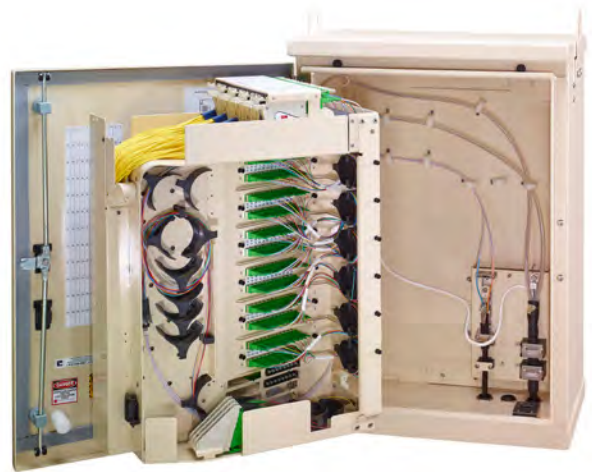
- Bend radius protection
- Intuitive cable routing
- Easy fiber/connector access
- Physical protection



CommScope-the innovation leader with over 35 patented and pending patent applications

Features and Benefits

- Unique “swing-out frame” design allows for easy maintenance and access to back of distribution panels and cables. Allows for easy maintenance and access to back of distribution panels and cables
- Industry-leading splitter capacity
- Three-point latch provides weather-tight seal of cabinet
- Angled bulkhead panels eliminate 90° bends and assist technicians with cable routing
- Integrated slack storage spools allow for storage of excess fiber while providing positive bend radius control
- Parking lots hold and protect fiber splitter outputs until needed for service
- In-hub distribution splicing option incorporates splicing of distribution cables within the cabinet



Features and Benefits

- Allows for standardized splitter modules and accessories across all FDH 3000 cabinets
- Common “plug-and-play” splitter module with common output length
- Supports diverse splitter module configurations: 1x32, 2x32, 1x16, 1x64, dual 1x16, 1x8, dual 1x8, 1x4, dual 1x4, 1x2, dual 1x2
- Craft friendly splitter module design: easy to insert and remove without affecting adjacent splitters
- Intelligent, easy to use cable routing schemes
- Allows for true plug and play functionality



Features and Benefits

- Discrete ground and cable location access
- Allows for locating wires without entry into the cabinet



Features and Benefits

- Re-skinnable casing design
- Allows replacement of cabinet shell without a break in customer service



Product Line Overview

Outdoor FDH 3000 Cabinets are available in three application types

- Ground Mount with 100' Stubs
- Pole Mount with 100' Stubs
- Ground Mount with In-Hub Feeder/Distribution Splicing

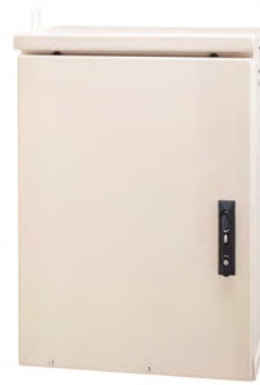
All FDH 3000 Cabinets include superior features such as a swing frame, plug and play splitter chassis and dust cap friendly parking lots.

Ground Mount FDH 3000 Cabinets

Ground Mount FDH 3000 Cabinets are designed to be installed over a hand hole or concrete pad. All four sizes of ground mount cabinets include 100' feeder and distribution stub cables that exit downward through the base of the cabinet. Each ground mount cabinet is shipped with a factory installed 6" riser attached to the cabinet bottom. A kit is available to attach some configurations of ground mount FDH 3000 cabinet to a pole. Contact CommScope technical assistance center for ordering details.

Pole Mount FDH 3000 Cabinets

Pole Mount FDH 3000 Cabinets are designed for overhead/aerial cable plant installations and are available in extra small, small and medium cabinet sizes. All three sizes of pole mount cabinets include 100' feeder and distribution stub cables that exit from underneath.



Ground Mount Small 288 Configuration Shown



Rear View Pole Small
288 with Bottom Cable Entry Configuration

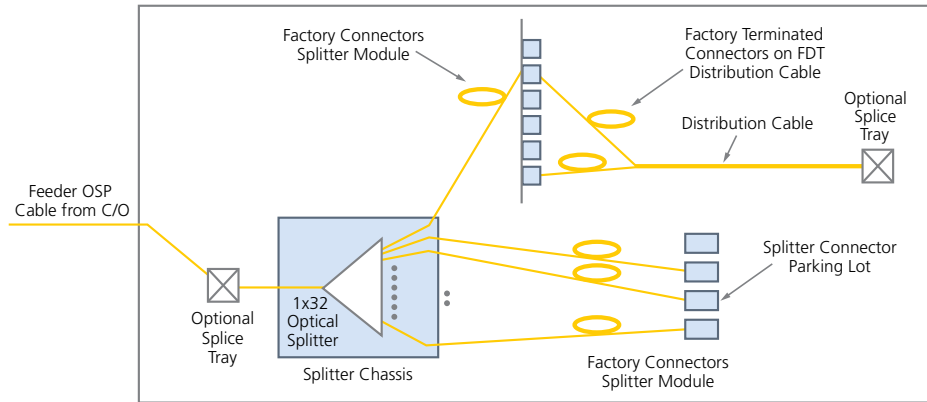


Rear View Pole Mount Medium
432 with top cable

FDH 3000 Cabinets with In-Hub Distribution Splicing Option

Ground Mount FDH 3000 Cabinets are designed to be installed over a hand hole or concrete pad and integrate the ability to splice both feeder and distribution cables within the cabinet. This product offers design flexibility for applications where a hand hole for stub cable splicing is not available or desirable. In-Hub Distribution Splicing Cabinets are available in extra small, small and medium cabinet sizes, and are shipped with a factory installed 6" riser attached to the cabinet bottom.

Inside the FDH



Ground Mount Small 288 Configuration with In-Hub Distribution Cable Splicing

FDH 3000 at a glance

| | Cabinet | Size (HxWxD) | Unit Weight* | Access | Mounting Options | Splitter Slots | Pass Through Fibers | Cable Exit Location |
|---------------|----------------------|--|----------------------|-----------|------------------|----------------|---------------------|---------------------|
| Ground Mount | Extra Small (24-144) | 36" x 21" x 14" (91.4 x 53.3 x 35.6 cm) | 120 lbs (54.5 kg) | All Front | Ground | 18 | 18 | Bottom |
| | Small (72-288) | 36" x 27" x 18" (91.4 x 68.58 x 45.72 cm) | 140 lbs (63.5 kg) | All Front | Ground | 24 | 36 | Bottom |
| | Medium (72-432) | 42" x 27" x 18" (106.68 x 68.58 x 45.72 cm) | 225 lbs (102 kg) | All Front | Ground | 30 | 36 | Bottom |
| | Large (72-864) | 49" x 47" x 20" (124.5 x 119.4 x 50.8 cm) | 340 lbs (154 kg) | All Front | Ground | 48 | 72 | Bottom |
| Pole Mount | Extra Small | 30" x 21" x 14" (76.2 x 53.3 x 35.6 cm) | 115 lbs (52 kg) | All Front | Pole | 18 | 18 | Top or bottom |
| | Small | 30" x 27" x 18" (76.2 x 68.58 x 45.72 cm) | 130 lbs (59 kg) | All Front | Pole | 24 | 36 | Top or bottom |
| | Medium | 36" x 27" x 18" (91.4 x 68.58 x 45.72 cm) | 295 lbs (134 kg) | All Front | Pole | 30 | 36 | Top or bottom |
| In-Hub Splice | Extra Small | 36" x 21" x 14" (91.4 x 53.3 x 35.6 cm) | 130 lbs (59 kg) | All Front | Ground | 18 | 18 | Bottom |
| | Small | 36" x 27" x 18" (91.4 x 68.58 x 45.72 cm) | 105 lbs (60 kg) | All Front | Ground | 24 | 36 | Bottom |
| | Medium | 42" x 27" x 18" (106.68 x 68.58 x 45.72 cm) | 225 lbs (102 kg) | All Front | Ground | 30 | 36 | Bottom |

* Approximate weight. Actual weight will vary based on selected options.

Mini Plug-and-play Splitter Modules

The FDH 3000 utilizes a Mini Plug-and-play Splitter Module which is common to all of the cabinets and features a common output length. This module allows for true plug-and-play functionality.

- Standardized splitter modules for all cabinet sizes
- Features bend-optimized fiber and ruggedized extreme temperature cabling rated for material handling in cold temperatures and superior loss performance at 1490 and 1550 nm wavelengths
- Rated from -55° C to 85° C
- Allows pass-through of up to 2 fibers per splitter set
- Splitters are easy to insert and remove without affecting adjacent splitters
- Reversible dust cap makes test and turn-up easy
- Wide band pass 1260-1635 nm to ensure optical performance for all applications



Feeder Pass-Thru Feature

Splitter types supported with specifications

| Standard | Max Loss* | Typical Loss* | Uniformity | Return Loss | Directivity | PDL |
|----------|-----------|---------------|------------|-------------|-------------|--------|
| 1x2 | 3.7 dB | 3.1 dB | 0.8 dB | ≥55 dB | ≥55 dB | 0.3 dB |
| 1x4 | 7.2 dB | 6.2 dB | 0.8 dB | ≥55 dB | ≥60 dB | 0.2 dB |
| 1x8 | 10.7 dB | 9.8 dB | 1.0 dB | ≥55 dB | ≥60 dB | 0.2 dB |
| 1x16 | 13.5 dB | 13.2 dB | 1.5 dB | ≥55 dB | ≥60 dB | 0.3 dB |
| 1x32 | 16.7 dB | 16.5 dB | 1.5 dB | ≥55 dB | ≥60 dB | 0.3 dB |
| 1x64 | 20.4 dB | 19.7 dB | 2.0 dB | ≥55 dB | ≥60 dB | 0.4 dB |
| 2x16 | 14.7 dB | 13.0 dB | 2.0 dB | ≥55 dB | ≥60 dB | 0.4 dB |
| 2x32 | 17.9 dB | 16.3 dB | 2.5 dB | ≥55 dB | ≥60 dB | 0.4 dB |

* Does not include connector loss

Ordering Information

FPS - MPP1 X X X

Splitter Type

| | | | |
|---|-----------|---|-------------|
| A | 1x32 | N | 1x4 |
| C | 1x16 | O | 2x4 |
| G | 2x32 | P | 2x16 |
| J | 1x8 | S | Single 1x64 |
| K | 2x8 | U | Dual 1x4 |
| L | Dual 1x8 | W | 1x2 |
| M | Dual 1x16 | X | Dual 1x2 |

Output Connector Style

| | |
|---|------------------|
| N | SC ultra polish |
| J | SC angled polish |

Input Connector Style

| | |
|---|------------------|
| N | SC ultra polish |
| J | SC angled polish |

All shaded configuration options are lead configurations and have best delivery dates. Additional options are available, please contact the CommScope Technical Assistance Center.

Ordering Information

FD3 - A X X X X X X X X X X X X

Cabinet Size

| | |
|---|-------------|
| C | 144 cabinet |
| E | 288 cabinet |
| G | 432 cabinet |

Distribution Fiber Panel Loaded

| | | | |
|-----|------------|-----|------------|
| 024 | 24 Fibers | 216 | 216 Fibers |
| 048 | 48 Fibers | 288 | 288 Fibers |
| 072 | 72 Fibers | 360 | 360 Fibers |
| 096 | 96 Fibers | 432 | 432 Fibers |
| 144 | 144 Fibers | | |

Adapters/Connector Type

| | |
|------------|--------|
| Singlemode | |
| N | SC/UPC |
| J | SC/APC |

Number of Splitter Modules

| | |
|---|---------------------|
| 0 | No splitter modules |
| 1 | 1 splitter module |
| 2 | 2 splitter modules |

Splitter Type Loaded

| | |
|---|-------------|
| 0 | No splitter |
| A | (1x32) |
| C | (1x16) |
| G | (2x32) |
| J | (1x8) |
| L | (Dual 1x8) |
| M | (Dual 1x16) |
| N | (1x4) |
| P | (2x16) |
| S | (1x64) |
| U | (Dual 1x4) |
| W | (1x2) |
| X | (Dual 1x2) |

Feeder/Distribution Cable Type*

| | |
|---|--|
| G | Single armor loose tube |
| J | Dielectric loose tube |
| L | Armored ribbon |
| M | Ribbon pigtails |
| T | Dielectric ribbon |
| D | Dry-dry dielectric ribbon |
| N | Dry arm LT for feeder. Dry arm ribbon for dist. |
| P | Dry-dry armored ribbon |

Mounting

| | |
|----|-------------------------|
| N | Ground mount |
| -P | Pole mount top entry |
| -B | Pole mount bottom entry |

Feeder Cable Size*

| | |
|---|-----------|
| 1 | 12 Fibers |
| 2 | 24 Fibers |
| 4 | 48 Fibers |
| 7 | 72 Fibers |

Splitter Style

| | |
|---|---------------------------|
| 2 | Heat shrink fusion splice |
| M | Mechanical splice |
| P | Plug and play |
| O | None |

Feeder/Distribution Cable Stub Length

| | |
|---|----------|
| A | 25 feet |
| B | 100 feet |
| D | 200 feet |
| E | 350 feet |
| H | 10 feet |
| O | Splice |

Distribution Cable Configuration*

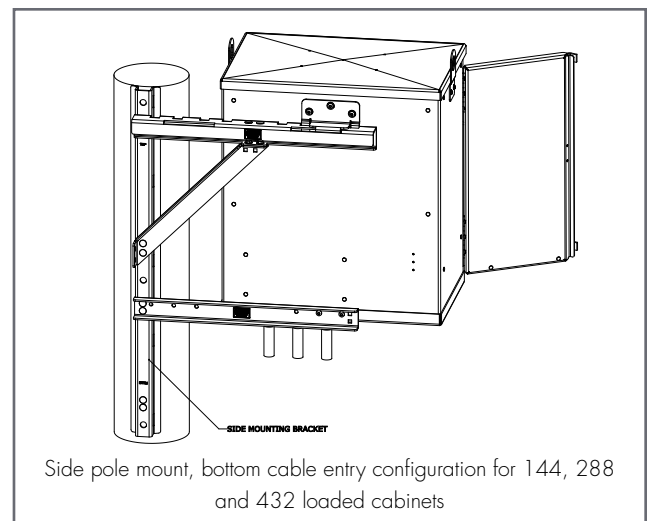
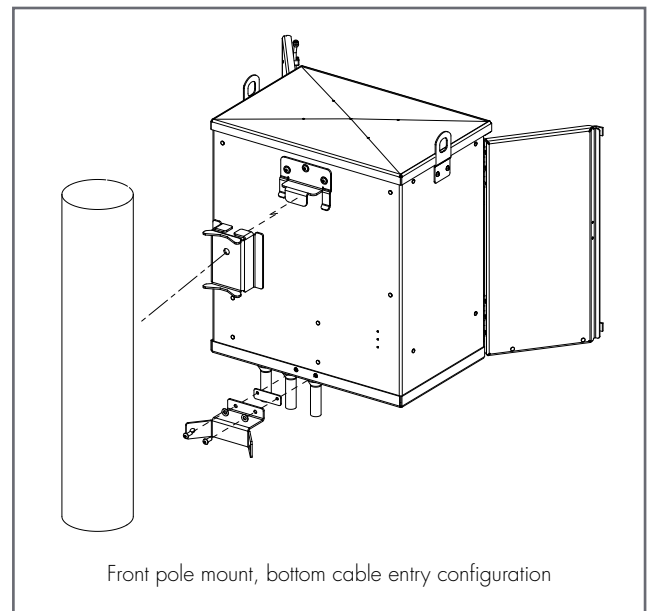
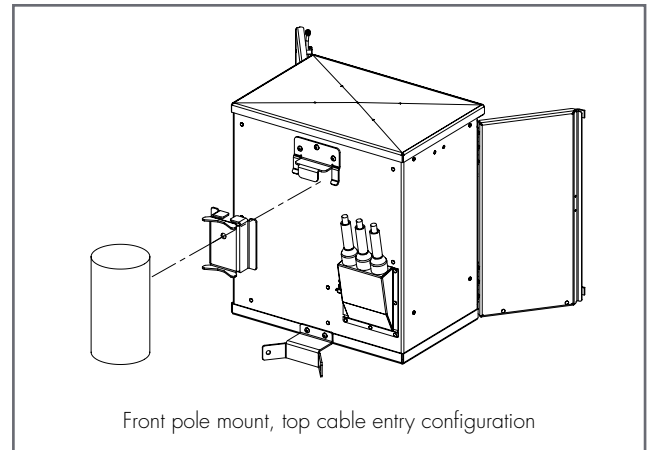
| | |
|---|---------------------|
| A | All 72 fiber stubs |
| B | All 144 fiber stubs |
| C | All 216 fiber stubs |
| F | All 432 fiber stubs |
| G | All 288 fiber stubs |
| J | All 48 fiber stubs |
| K | All 96 fiber stubs |

* Some configuration options are not available.

Pole Mount Configurations

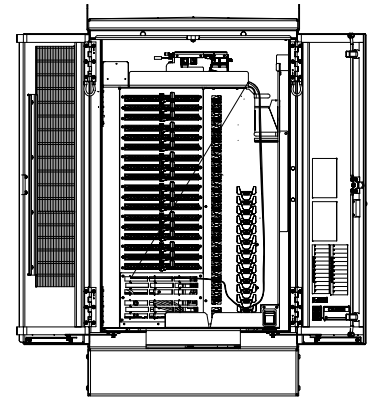
Features

- All front access
- Maximum of two distribution cables allowed
- Available in extra small, small and medium cabinet sizes
- Cabinet Dimensions
 - FD3-ACxxxxx: 30"(H) x 21"(W) x 14"(D)
 - FD3-AExxxxx: 30"(H) x 27"(W) x 18"(D)
 - FD3-AGxxxxx: 36"(H) x 27"(W) x 18"(D)



Large Ground Mount Cabinet (72-864 Fibers)

FD3 - AJ XXXXXXXXX



Distribution Fiber Panel Loaded

| | | | |
|-----|------------|-----|------------|
| 072 | 72 Fibers | 432 | 432 Fibers |
| 096 | 96 Fibers | 504 | 504 Fibers |
| 144 | 144 Fibers | 576 | 576 Fibers |
| 216 | 216 Fibers | 648 | 648 Fibers |
| 288 | 288 Fibers | 720 | 720 Fibers |
| 360 | 360 Fibers | 864 | 864 Fibers |

Adapters/Connector Type

| Singlemode | |
|------------|--------|
| N | SC/UPC |
| J | SC/APC |

Number of Splitter Modules

| | |
|---|---------------------|
| 0 | No splitter modules |
| 1 | 1 splitter module |
| 2 | 2 splitter modules |

Splitter Type Loaded

| | |
|---|--------------|
| 0 | No splitters |
| A | (1x32) |
| C | (1x16) |
| G | (2x32) |
| J | (1x8) |
| L | (Dual 1x8) |
| M | (Dual 1x16) |
| N | (1x4) |
| P | (2x16) |
| S | (1x64) |
| U | (Dual 1x4) |
| W | 1x2 |
| X | Dual 1x2 |

Feeder/Distribution Cable Type*

| | |
|---|--|
| G | Single armor loose tube |
| J | Dielectric loose tube |
| L | Armored ribbon |
| M | Ribbon pigtails |
| T | Dielectric ribbon |
| D | Dry-dry dielectric ribbon |
| N | Dry arm LT for feeder. Dry arm ribbon for dist. |
| P | Dry-dry armored ribbon |

Feeder Cable Size

| | |
|---|------------|
| 0 | None |
| 1 | 12 Fibers |
| 2 | 24 Fibers |
| 3 | 36 Fibers |
| 4 | 48 Fibers |
| 7 | 72 Fibers |
| 8 | 96 Fibers |
| 9 | 144 Fibers |

Splitter Style

| | |
|---|---------------|
| P | Plug and play |
|---|---------------|

Feeder/Distribution Cable Stub Length*

| | |
|---|----------|
| B | 100 feet |
| D | 200 feet |
| E | 350 feet |
| H | 10 feet |

Distribution Cable Configuration*

| | |
|---|---|
| A | All 72 fiber stubs |
| B | All 144 fiber stubs |
| C | All 216 fiber stubs |
| D | All 144 fiber stubs, except 1-72 if 216 or 360, 2-72 if 288 or 432 fiber |
| F | All 432 fiber stubs |
| G | All 288 fiber stubs |

* Some configuration options are not available

In-Hub Distribution Splicing Configurations

FD3 - A X X X X X X X X X X

Cabinet Size

| | |
|---|-------------|
| C | 144 cabinet |
| E | 288 cabinet |
| G | 432 cabinet |

Distribution Fiber Panel Loaded

| | | | |
|-----|------------|-----|------------|
| 024 | 24 Fibers | 216 | 216 Fibers |
| 048 | 48 Fibers | 288 | 288 Fibers |
| 072 | 72 Fibers | 360 | 360 Fibers |
| 096 | 96 Fibers | 432 | 432 Fibers |
| 144 | 144 Fibers | | |

Adapters/Connector Type

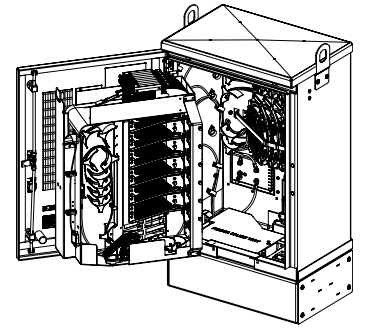
| | |
|------------|--------|
| Singlemode | |
| N | SC/UPC |
| J | SC/APC |

Number of Splitter Modules

| | |
|---|---------------------|
| 0 | No splitter modules |
| 1 | 1 splitter module |
| 2 | 2 splitter modules |

Splitter Type Loaded

| | |
|---|-------------|
| 0 | No splitter |
| A | (1x32) |
| C | (1x16) |
| G | (2x32) |
| J | (1x8) |
| L | (Dual 1x8) |
| M | (Dual 1x16) |
| N | (1x4) |
| P | (2x16) |
| S | (1x64) |
| U | (Dual 1x4) |
| W | 1x2 |
| X | Dual 1x2 |



Feeder Cable Size

| | |
|---|------------|
| 0 | None |
| 1 | 12 Fibers |
| 2 | 24 Fibers |
| 3 | 36 Fibers |
| 4 | 48 Fibers |
| 7 | 72 Fibers |
| 9 | 144 Fibers |

Splitter Style

| | |
|---|---------------------------|
| 2 | Heat shrink fusion splice |
| M | Mechanical splice |
| P | Plug and play |
| 0 | None |

Feeder/Distribution Cable Stub Length*

| | |
|---|----------|
| A | 25 feet |
| B | 100 feet |
| D | 200 feet |
| E | 350 feet |
| H | 10 feet |
| 0 | Splice |

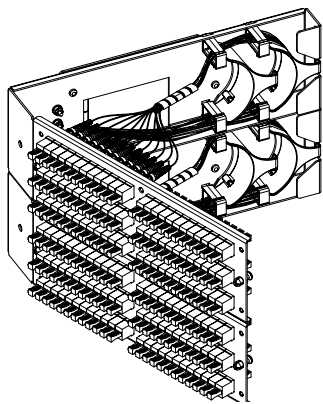
Distribution Cable Configuration

| | |
|---|---------------------------|
| M | Mechanical fusion splice |
| 2 | Heat shrink fusion splice |

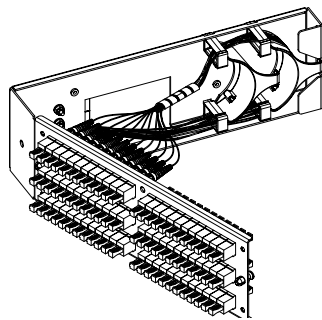
Feeder Distribution Cable Type*

| | |
|---|---------------------|
| T | Dielectric ribbon |
| U | Loose tube pigtails |

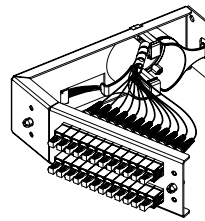
* Some configuration options are not available.



144 Fiber Panel



72 Fiber Panel



24 Fiber Panel

Growth Panel Options

For adding distribution panels to existing partially loaded small, medium and large* cabinets

Ordering Information

| Description | Catalog Number |
|--|----------------|
| Single Armor Loose Tube 72 position APC SC with 100' stub | FD3MOD-072JGAB |
| Dielectric Loose Tube 72 position APC SC with 100' stub | FD3MOD-072JJAB |
| Single Armor Ribbon 72 position APC SC with 100' stub | FD3MOD-072JLAB |
| Dielectric Ribbon 72 position APC SC with 100' stub | FD3MOD-072JTAB |
| Single Armor Loose Tube 144 position APC SC with 100' stub | FD3MOD-144JGBB |
| Dielectric Loose Tube 144 position APC SC with 100' stub | FD3MOD-144JBBB |
| Single Armor Ribbon 144 position APC SC with 100' stub | FD3MOD-144JLBB |
| Dielectric Ribbon 144 position APC SC with 100' stub | FD3MOD-144JTBB |

*Growth panels available for right side swing frame only

For adding distribution panels to existing partially loaded extra small cabinets

Ordering Information

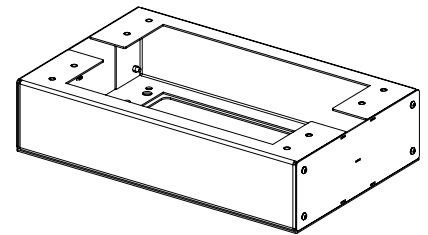
| Description | Catalog Number |
|---|----------------|
| Single Armor Loose Tube 24 position APC SC with 100' stub | FD3MOD-024JGHB |
| Dielectric Loose Tube 24 position APC SC with 100' stub | FD3MOD-024JHBB |
| Single Armor Ribbon 24 position APC SC with 100' stub | FD3MOD-024JLHB |
| Dielectric Ribbon 24 position APC SC with 100' stub | FD3MOD-024JTHB |

Risers for Ground Mount Style Cabinets

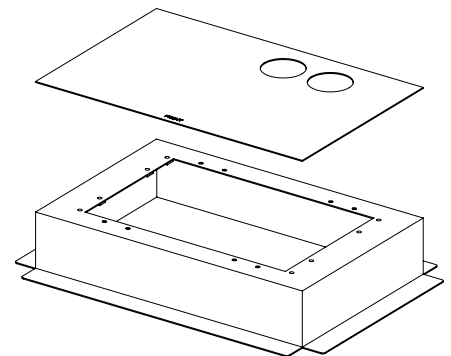
Including in-hub splice option cabinets. Note: All Ground Mount FDH 3000 cabinets ship with one riser

Ordering Information

| Description | Catalog Number |
|--|----------------|
| 6" ground spacer/riser for extra small (24-144 fibers) cabinets Raises cabinet an additional 6" | FD3-RSRC06 |
| 6" ground spacer/riser for small (72-288 fibers) and medium (72-432 fibers) cabinets Raises cabinet an additional 6" | FD3-RSRE06 |
| 6" ground spacer/riser for large (72-864 fibers) cabinets Raises cabinet an additional 6" | FD3-RSRJ06 |



6" Split Spacer/Riser

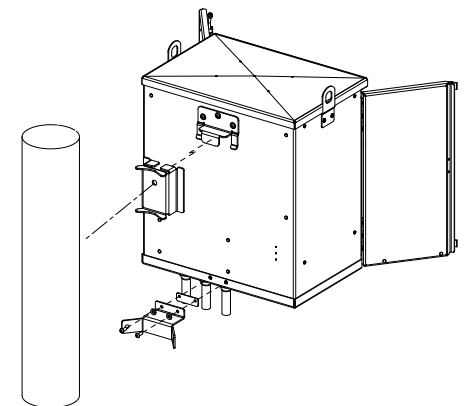


Kit Pad Mount Frame

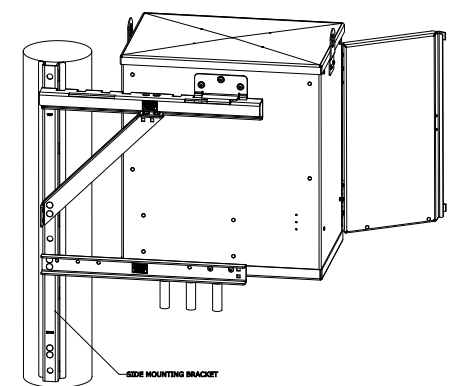
Pad Mount Frames

Ordering Information

| Description | Catalog Number |
|--|----------------|
| Extra small (24-144 fibers) pad mount frame | FD3-PMFC06 |
| Small (72-288 fibers) and medium (72-432 fibers) pad mount frame | FD3-PMFE06 |
| Large (72-864 fibers) pad mount frame | FD3-PMFJ06 |



Front Mount bracket



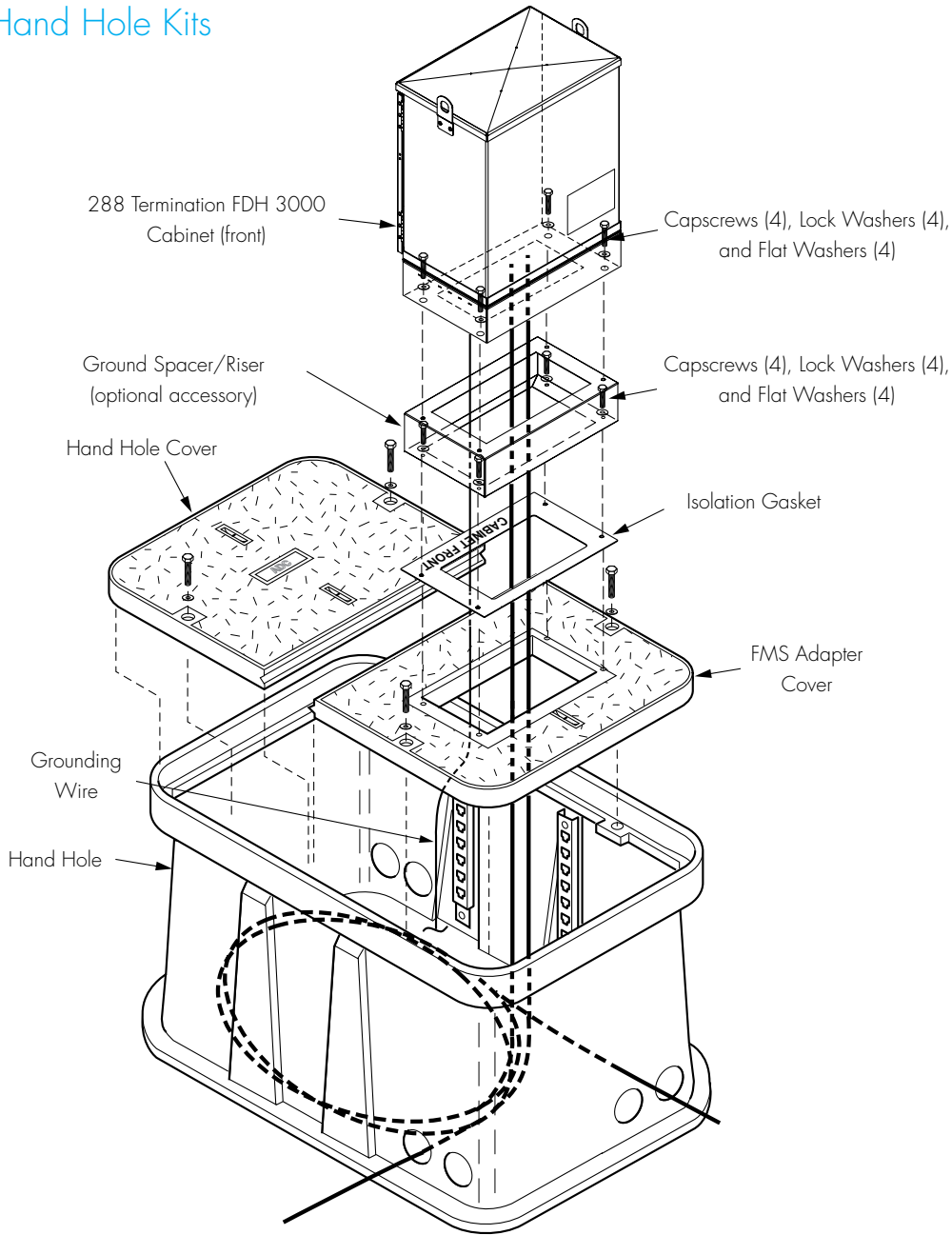
Side Mount bracket

Pole Mount Accessories

Ordering Information

| Description | Catalog Number |
|-------------------------------------|-------------------|
| Front mount bracket | FD3-ACC144PMK-GTV |
| | FD3-ACC288PMK-GTV |
| Side mount bracket (144-432 models) | FD3-ACCUNVSMB |

Hand Hole Kits



Ordering Information

| Description | Catalog Number |
|--|------------------|
| 30" x 60" Hand Hole and cover kit for extra small (24-144 fibers), small (72-288 fibers) and medium (72-432 fibers) cabinets | FMS-ACE100-KIT-A |
| 48" x 60" Hand Hole and cover kit for extra small (24-144 fibers), small (72-288 fibers) and medium (72-432 fibers) cabinets | FMS-FD3EG-LKIT-A |
| 48" x 60" Hand Hole and cover kit for large (72-864 fibers) cabinets | FMS-FD3J-KIT-A |

Ordering Information

| Description | | Catalog Number | |
|--|---|--|-------------------|
| 216 Tools – Can Wrench Keys | Nickel plated brass can wrench key For use in loosening/tightening security screws | OSP-216BKEY1 | |
| | Aluminum can wrench key For use in loosening/tightening security screws | OSP-216BKEY2 | |
| | Plastic can wrench key For use in loosening/tightening security screws | OSP-216BKEY3 | |
| Cleaning Kits | Alcohol cleaning kit for connector end faces | FPC-CLNKIT1 | |
| | Almond touch up paint | ACE-ACC-PTALMD | |
| Risers All FDH 3000 cross-connect cabinets ship with one riser. | 6" ground spacer/riser for small (72-288 fibers) and; medium (72-432 fibers) cabinets; Raises cabinet an additional 6" | FD3-RSRE06 | |
| | 6" ground spacer/riser for large (72-864 fibers) cabinets; Raises cabinet an additional 6" | FD3-RSRJ06 | |
| Cable Clamps | Small clamp | FD3-ACCSMCLMP | |
| | Large clamp | FD3-ACCLGCLMP | |
| | Spiral clamp | FD3-ACCMSPCLMP | |
| | 500 foot feeder cable for FDH 3000 | FD3-ACCMPOCBL500 | |
| | 750 foot feeder cable for FDH 3000 | FD3-ACCMPOCBL750 | |
| Hand Hole Kits | Hand Hole and cover kit for small (72-288 fibers) and medium (72-432 fibers) cabinets | FMS-ACE100-KITA | |
| | Hand Hole and cover kit for large (72-864 fibers) cabinets | FMS-FD3J-KITA | |
| Pad Mount Frames | Small (72-288 fibers) and medium (72-432 fibers) pad mount frame | FD3-PMFE06 | |
| | Large (72-864 fibers) pad mount frame | FD3-PMFJ06 | |
| Additional Panel Options Additional configurations are available, please contact CommScope's Technical Assistance Center. | Single armor loose tube 72 position APC SC | FD3MOD-072JGAB | |
| | Dielectric loose tube 72 position APC SC | FD3MOD-072JJAB | |
| | Single armor ribbon 72 position APC SC | FD3MOD-072JLAB | |
| | Dielectric ribbon 72 position APC SC | FD3MOD-072JTAB | |
| Miscellaneous and Legacy Accessories | Hex Key to open cabinet door Tamper resistant hex key (allen wrench), ACE cabinet | OSP-SECKEY1 | |
| | Replacement Door Handles | Door Latch kit (latch only) FDH 3000, FONS 1, 2 and 3 cabinets | FDH-ACCHNDLKT-3 |
| | | Handle replacement PFP cabinets | FDH-ACCPFP-HNDL-1 |
| | CSX3/CSX2 cabinet adapter bracket for PNP splitters | Standard Bracket and cables for smaller CSX2 and CSX3 cabinets | FPS-ACCCSX3RETRO |
| | | Standard Bracket with longer feeder cable for 576 and 864 CSX3/CSX2 cabinets | FPS-ACCCSX3/2F12 |



www.commscope.com

Visit our website or contact your local CommScope representative for more information.

© 2015 CommScope, Inc. All rights reserved.

All trademarks identified by ® or ™ are registered trademarks or trademarks, respectively, of CommScope, Inc. This document is for planning purposes only and is not intended to modify or supplement any specifications or warranties relating to CommScope products or services.

CA-310090.2:AE (12/15)