

Applications

- CATV
- Telecommunications
- Wireless and Wired Networking
- FTTX
- Data Centers
- SANs
- Industrial Control Systems

Features and Benefits

- Lockable-restricts entry of unauthorized access
- Compact, secure, and efficient splicing and termination
- 18-gauge steel corrosion resistant construction
- Effective slack management
- Adapter strips or modules accommodated



Description

Wirewerks' wall mount panels provide for enclosed wall mounting of adapter strips and splice trays or distribution modules. They are fabricated from sheet steel and finished in a light textured black powder coat finish. These panels are easily mounted to any wall using the internal mounting holes. Adapter strips or modules are snapped into the panels with 2 push pins and incoming fiber is

connected to them. Patch cords are used to connect these fibers, as required, to active equipment or other patch panels from the side of the panel. These panels include fiber management features for slack management of incoming cables.

Ordering Information

Panels

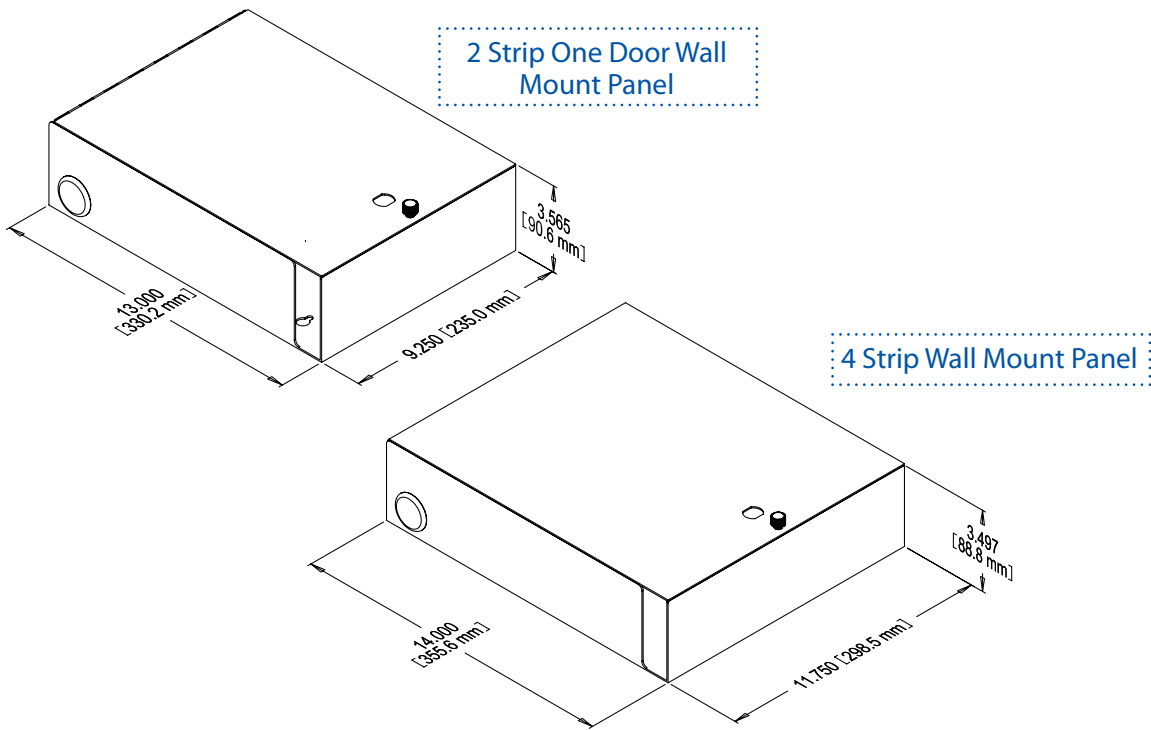
Description	Part Number
Wall mount mini enclosure	*PP-WM1S
2 strip, one door wall mount panel	PP-WM2SU
2 strip, double door wall mount panel	PP-WM2S
4 strip wall mount panel	PP-WM4S

Accessories

Description	Part Number
Splice Tray	SP-WS12A

Note: Wirewerks panels are shipped complete with the following accessories: self stick connection labels, laser caution labels, mounting screws and washers, cable ties, slack management brackets and splice tray spacer.
* dependant on strip or module type; ** PP-WM1S does not support a splice tray

Specifications



5

Panel Type	Dimensions	#Strip/Modules	# Fibers*
Wall mount mini enclosure	7" x 6.5" x 1.5"	1	12
2 strip, one door wall mount panel	14" x 3.5" x 11.5"	4	96
2 strip, double door wall mount panel	13" x 8.8" x 3.4"	2	24
4 strip wall mount panel	14" x 3.5" x 11.5"	4	96