



# DSR-6100

## Commercial Integrated Receiver/Transcoder

An Advanced Feature Satellite Receiver/Transcoder for Programmers and Cable Operators

### Product Overview

The DSR-6100 Integrated Receiver/Transcoder is Motorola's next generation commercial satellite receiver/transcoder, capable of transcoding one MPEG-4 HD service and outputting MPEG-2 HD and/or SD service (depending on authorization from uplink operator).

Packaged in a one RU chassis, the DSR-6100 comes equipped with industry standard output interfaces such as Gig-E and ASI that enable seamless connections to headend equipment. With advanced modulation support, the DSR-6100 supports DVB-S2 8PSK.

### Highlights Include:

- MPEG-4 HD to MPEG-2 transcoding
- Simultaneous HD and SD output
- Advanced modulation support with DVB-S2
- Gig-E and ASI transport outputs
- Eight RF inputs (L-Band)
- AFD processing support
- Composite video and dedicated OSD output
- DigiCipher® II conditional access control
- Ethernet port for SNMP and web browser monitoring and control
- One RU chassis design

# Specifications

## L-BAND INPUT

Input Frequency:	950 - 2150 MHz
Input Impedance:	75 Ω
Input Connectors:	Eight (8) F-type
F-Connector:	16V DC min/450 mA
Port-to-Port Isolation:	40 db (minimum)

## DIGITAL PROCESSING

Modulation Modes:	DVB-S2, DCII QPSK
Symbol Rates:	
DVB-S2:	30 Msps
DCII QPSK:	29.27 Msps
FEC Rates:	
DVB-S2:	3/5, 2/3, 3/4, 5/6, 8/9, 9/10
QPSK:	1/2, 3/5, 2/3, 3/4, 4/5, 5/6, 7/8

## COMPOSITE VIDEO OUTPUT

Frequency Response (NTSC):	±0.9 dB, 1kHz - 4.2 MHz
Output Impedance:	75 Ω
Output Level:	1.0 V p-p ± 10%
Connectors:	Two BNC (one with OSD)

## AUDIO OUTPUT

Output:	Two stereo pair or four mono
Frequency Response:	±0.5 dB, 20 Hz to 20 kHz
Output Impedance:	50 Ω
Output Level:	±16.0 dBu, ±1.0 dB into 600 Ω balanced
Connectors:	Quick disconnect screw terminal

## ETHERNET OUTPUT

Connector:	RJ-45
Format:	10/100BaseT

## GIG-E INTERFACE

Connector:	RJ-45
Format:	10/100/1000BaseT

## ASI INTERFACE

Format:	Asynchronous serial interface
Transmission:	Byte or packet mode
Standard:	CENELEC EN 50083-9
Connectors:	BNC (two out, one in)

## CONTACT CLOSURES

Number of Closures:	Four (1 alarm)
Type:	Form C

## PHYSICAL

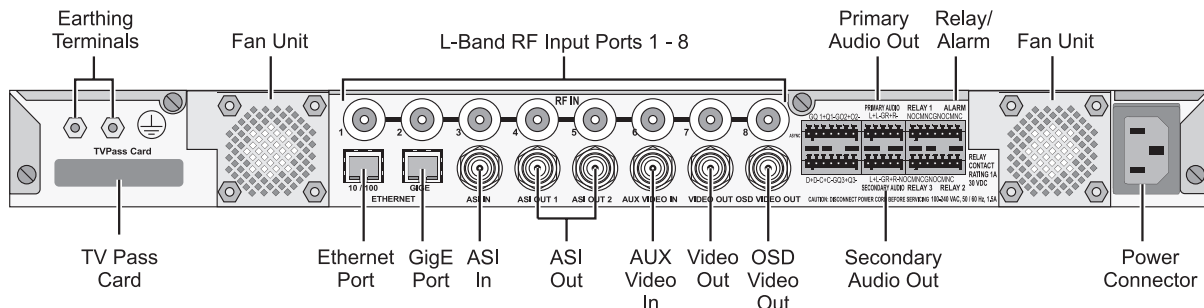
Width:	18.9 in (48 cm)
Depth:	20.5 in (52 cm)
Height:	1.65 in (4.2 cm)
Weight:	12.5 lb (5.7 kg) approx
Power Input:	100-240 VAC, 50-60Hz, 85W max
Operating Temperature:	0 °C to 40 °C
Humidity:	95%, relative maximum
Display:	Two line, 40-character LCD

## OTHER

Limited Warranty:	One year
Compliance:	UL listed/approved

For more information regarding any of these features contact your Motorola sales representative.

Features and functions subject to change without notice.



**MOTOROLA**

Motorola Mobility, Inc., 101 Tournament Drive, Horsham, Pennsylvania 19044 U.S.A. [www.motorola.com](http://www.motorola.com)

MOTOROLA and the Stylized M Logo are trademarks or registered trademarks of Motorola Trademark Holdings, LLC. All other trademarks are the property of their respective owners. ©2010 Motorola Mobility, Inc. All rights reserved.