

1. PRODUCT SUMMARY

The Universal Mounting Plate, tape and pushpins allow for easy mounting of hardware and fiber accessories in Primex Media Distribution Enclosures for structured wiring.

The durable ABS plate snaps into place quickly and securely with a low profile footprint.

2. PRODUCT DIMENTIONS

H: 13.7" /W: 10" /D: 0.3"

3. FEATURES & BENEFITS

Mounting Plate

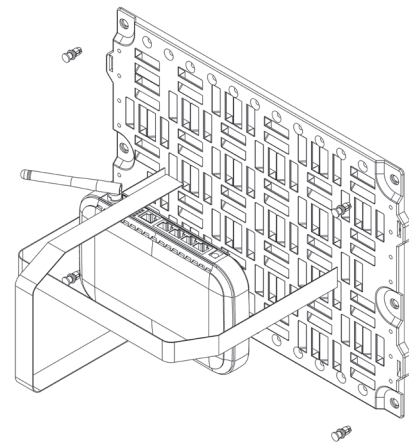
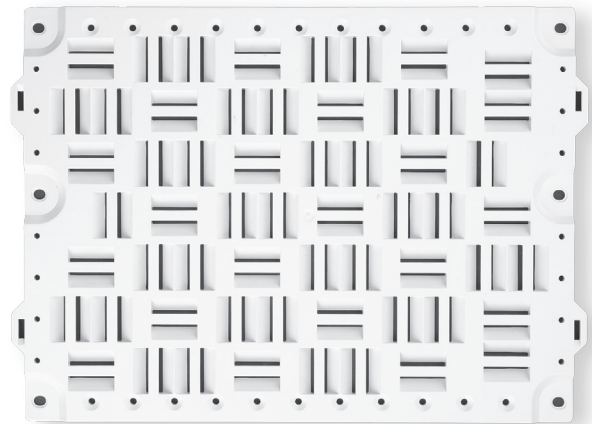
- Offers an array of mounting options for hardware components such as modems and fiber management accessories.
- Fits Primex Verge Media Distribution Enclosure models: P2100, P3000, P4200, P6300
- Lightweight and easy to install with two-piece snap in pushpins: base and pin.
- Durable ABS plastic.

Mounting Tape (33' roll)

- Easily affixes to plate, components and enclosures in seconds, securely keeping components in place.
- Durable and lightweight for cable and fiber management.

4. CONFIGURATIONS

SC	Description
125-0770	White mounting plate
125-0779	33' roll of tape
125-0829	Pushpins



FOR MORE INFORMATION CONTACT:

20160 92A Avenue Langley BC V1M 3A4 Canada
 ☎ 1.604.881.7875 ☎ 1.877.881.7875 ✉ info@primexfits.com