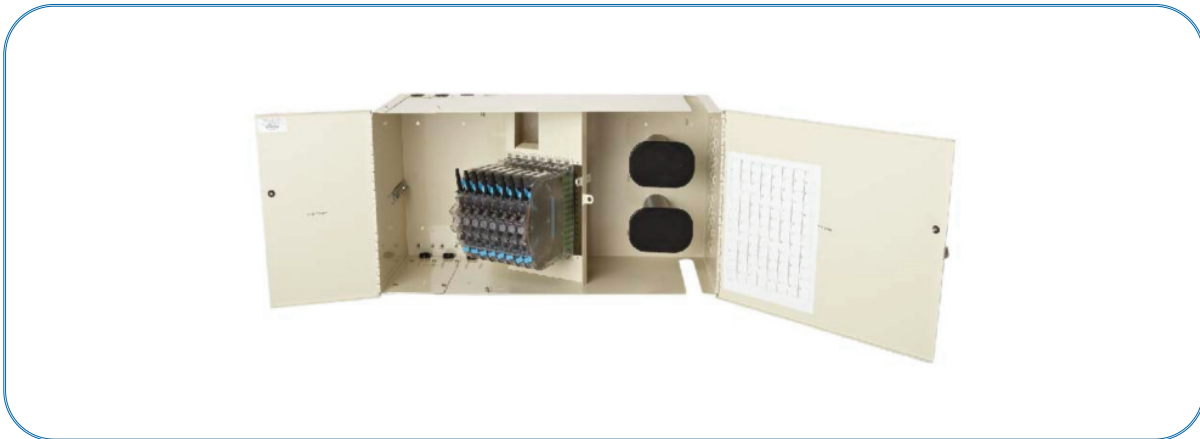


FieldSmart Fiber Delivery Point (FDP)

Indoor 96-Port Wall Mount Panel



Application

- Fiber demarcation
- CATV applications
- Entrance facilities
- MDU (Multi-dwelling Units) applications
- Telecommunications room
- Security systems (CCTV)

Description

In the middle of the FieldSmart Fiber Delivery Point (FDP) Indoor Wall Mount Panel line is the 96-Port, which allows the user to easily scale 12 to 96 ports. Mid-span/ ring cut capable of reducing installation costs and deployment time. Utilizing Clearview Cassettes, the product is shipped loaded with the industry standard adapter of your choice. It is preloaded for patch only or patch & splice applications and supports all cable constructions for the inside plant. It has piano hinge doors for increased security and for easy installation, and a solid enclosure design to protect fiber terminations from damage. Also supports PON applications with the ability to house up to three 1 x 32 splitters.

Features & Benefits

Integrity

- 100% tested GR-326 compliant terminations
- GR-20 and GR-409 compliant
- Supports all industry standard singlemode and multimode connectors
- 100% performance tested for I.L./R.L. and final mechanical inspect

Protection

- Radius protected storage for up to five (5) meters of jacketed fiber or patch cord slack is provided (patch side)
- Rugged steel construction with security enabled doors provide protection from tampering or in advertent damage with industry-standard can wrench fasteners
- Integrated fiber management protects fiber from micro-bend and macro-bend damage
- A grounding lug is included (see page 126 for grounding recommendations)

Access

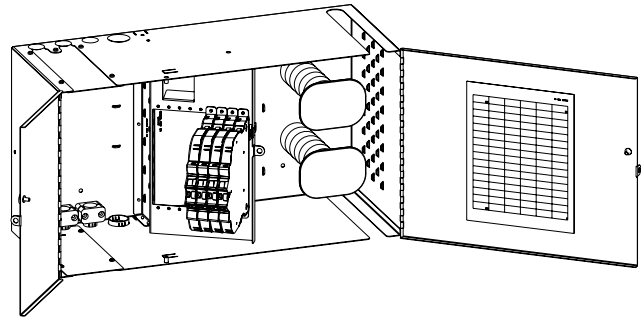
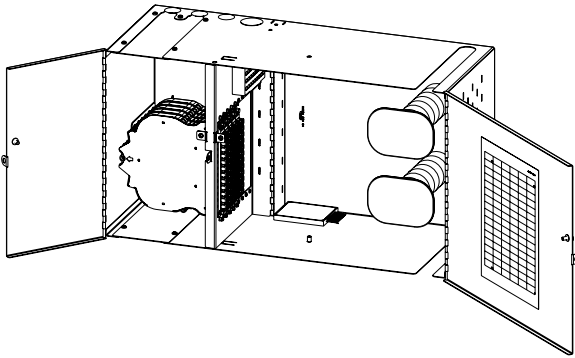
- Removable doors and non-angled connectors enable fast, easy fiber jumper routing, reducing the risk of fiber damage when cleaning or patching fibers
- Ships ready to install with cable clamp kit, and miscellaneous accessories
- Upper and lower entry/exit points for feeder/customer premise cables
- Larger design facilitates ease of access in the environments product is deployed and is accessible using a standard can wrench
- Pre-loaded for patch only or patch & splice applications

Investment

- Scalable to 96 ports of fiber using Clearview Cassettes loaded with the interface of your choice
- Pre-configured/pre-loaded factory terminated assemblies
- Panel can be configured as a tie panel and later converted to a patch only or a patch & splice panel, utilizing the Clearview Cassette

FieldSmart Fiber Delivery Point (FDP)

Indoor 96-Port Wall Mount Panel



Specifications

Indoor 96-port Wall Mount Panel	
Dimensions	15.0" H x 27.5" W x 11.5" D
Port Density	Up to 96 ports
Splice Capacity	12 splices in each Clearview Cassette
Interface Types	ST, SC, SC APC, FC, FC APC, LC, LC APC
Storage Capacity	Up to 5 meters of 12-fiber IFC jacketed fiber

Accessories

- Ruggedized Splitter (page 70)

Configured Part Numbers

W Z - - - Z Z XXXM or XXXF

1 2 3 4 5 6

1 Select wallmount style

M = Patch only
N = Patch & splice
P = Tie Panel

3 Select connector style

A = SC UPC F = LC UPC
C = SC APC H = LC APC

5 Select cable construction

A = Indoor, Riser Rated (IFC)
B = OSP, Riser Rated
C = Indoor, Plenum (IFC)
E = OSP, Non-Rated
F = 900um Tight Buffer (P & S only)

2 Select port count

X X X = port count in increments of 12

4 Select Mode / Type

1 = Singlemode, non ribbon
2 = Singlemode, ribbon
3 = Multimode (62.5), non ribbon
4 = Multimode (62.5) ribbon
9 = No fiber - multimode
0 = No fiber - singlemode

6 Select cable exit *

2 = Top Left
4 = Bottom Left
Z = N/A - Use for Patch & Splice

XXXM or XXXF

XXXF = Length of pigtail in feet
XXXM = Length of pigtail in meters

* Cable exit is defined by which direction the cable exits the panel when viewing it from the front.